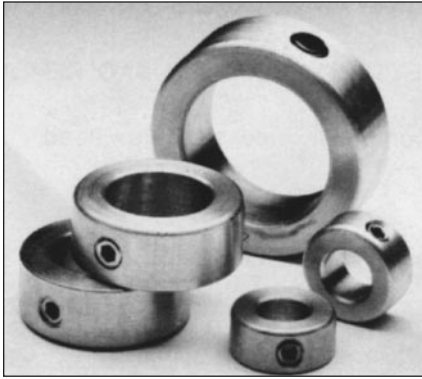


# SETSCREW COLLARS

## STEEL AND STAINLESS STEEL

## SC/SSC SERIES



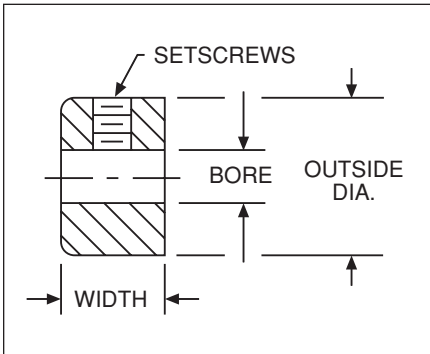
STEEL BORE SIZES FROM 1/8" TO 3"

STAINLESS STEEL BORE SIZES FROM 1/8" TO 2"

STAINLESS STEEL COLLARS ARE CORROSION-RESISTANT AND NON-MAGNETIC suitable for temperatures up to 800°F. Ideal for applications requiring hygienic cleanliness.

ALL COLLARS COMPLETE WITH STANDARD HOLLOW POINT SETSCREWS.

ALL DIMENSIONS IN INCHES  
ORDER BY CATALOG NUMBER OR ITEM CODE



### STANDARD TOLERANCES

Dimensions		Tolerance
Bore	1/8-1	+ .001 + .003
	1-1/16-3	+ .001 + .004

### MATERIALS

Stainless Steel—Type 303 Austenitic.

Steel—Low Carbon, Zinc plated finish.

Bore	Outside Diameter	Width	Alloy Steel		Stainless Steel	
			Catalog Number	Item Code	Catalog Number	Item Code
1/8	3/8	1/4	SC12	67697	SSC12	67740
3/16	7/16	1/4	SC18	67698	SSC18	67741
1/4	1/2	5/16	SC25	67699	SSC25	67742
5/16	5/8	11/32	SC31	67700	SSC31	67743
3/8	3/4	3/8	SC37	67701	SSC37	67744
7/16	7/8	7/16	SC43	67702	—	—
1/2	1	7/16	SC50	67703	SSC50	67745
9/16	1	7/16	SC56	67704	—	—
5/8	1-1/8	1/2	SC62	67705	SSC62	67746
11/16	1-1/4	9/16	SC68	67706	—	—
3/4	1-1/4	9/16	SC75	67707	SSC75	67747
13/16	1-1/4	9/16	SC81	67708	—	—
7/8	1-1/2	9/16	SC87	67709	SSC87	67748
15/16	1-5/8	9/16	SC93	67710	—	—
1	1-1/2	5/8	SC100	67711	SSC100	67749
1-1/16	1-3/4	5/8	SC106	67712	—	—
1-1/8	1-3/4	5/8	SC112	67713	SSC112	67784
1-3/16	2	11/16	SC118	67714	—	—
1-1/4	2	11/16	SC125	67715	SSC125	67785
1-5/16	2-1/8	11/16	SC131	67716	—	—
1-3/8	2-1/8	3/4	SC137	67717	—	—
1-7/16	2-1/4	3/4	SC143	67718	—	—
1-1/2	2-1/4	3/4	SC150	67719	SSC150	67788
1-9/16	2-1/2	13/16	SC156	67720	—	—
1-5/8	2-1/2	13/16	SC162	67721	—	—
1-11/16	2-1/2	13/16	SC168	67722	—	—
1-3/4	2-3/4	7/8	SC175	67723	SSC175	67789
1-13/16	2-3/4	7/8	SC181	67724	—	—
1-7/8	2-3/4	7/8	SC187	67725	—	—
1-15/16	3	7/8	SC193	67726	—	—
2	3	7/8	SC200	67727	SSC200	67790
2-1/8	3	7/8	SC212	67728	—	—
2-3/16	3-1/4	15/16	SC218	67729	—	—
2-1/4	3-1/4	15/16	SC225	67730	—	—
2-5/16	3-1/4	15/16	SC231	67731	—	—
2-3/8	3-1/4	15/16	SC237	67732	—	—
2-7/16	3-1/2	1	SC243	67733	—	—
2-1/2	3-1/2	1	SC250	67734	—	—
2-9/16	3-3/4	1	SC256	67735	—	—
2-11/16	4	1-1/8	SC268	67736	—	—
2-3/4	4	1-1/8	SC275	67737	—	—
2-15/16	4	1-1/8	SC293	67738	—	—
3	4	1-1/8	SC300	67739	—	—

# CLAMPING COLLARS

## THREADED TYPE STEEL AND STAINLESS STEEL

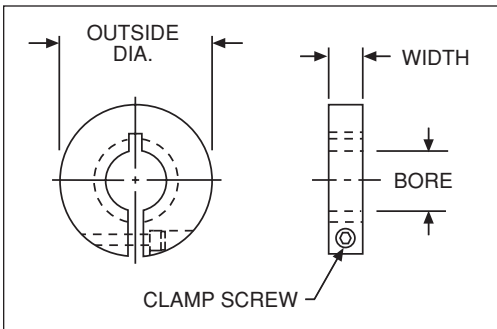
## CSC/CSSC SERIES



DESIGN PROVIDES CONVENIENT SETTING, ADJUSTING AND REMOVAL prevents shaft damage  
**OSHA CONFORMANCE** collars have completely recessed screw head.  
**BORE THREADS FROM 10–32 TO 200–12**

### ORDER BY CATALOG NUMBER OR ITEM CODE

Bore Thread	Outside Dia.	Width	Clamp Screws	Steel		Stainless Steel	
				Catalog Number	Item Code	Catalog Number	Item Code
10-32	11/16	1/4	4-40	CSC10-32	49237	—	—
1/4-20	13/16	1/4	4-40	CSC25-20	49238	CSSC25-20	49265
1/4-28				CSC25-28	49239	—	—
5/16-18				CSC31-18	49240	—	—
5/16-24				CSC31-24	49241	—	—
3/8-16	1-1/16	5/16	6-32	CSC37-16	49242	CSSC37-16	49269
3/8-24				CSC37-24	49243	CSSC37-24	49270
1/2-13	1-1/4	3/8	8-32	CSC50-13	49244	CSSC50-13	49271
1/2-20				CSC50-20	49245	CSSC50-20	49272
5/8-11	1-1/2	13/32	10-32	CSC62-11	49246	CSSC62-11	49273
5/8-18				CSC62-18	49247	CSSC62-18	49274
3/4-10	1-3/4	1/2	1/4-28	CSC75-10	49248	CSSC75-10	49275
3/4-16				CSC75-16	49249	CSSC75-16	49276
7/8-9	1-7/8	1/2	1/4-28	CSC87-9	49250	—	—
7/8-14				CSC87-14	49251	—	—
1-8	2	1/2	1/4-28	CSC100-8	49252	CSSC100-8	49279
1-14				CSC100-14	49253	CSSC100-14	49280
1-1/8-7	2-1/8	1/2	1/4-28	CSC125-7	49256	—	—
1-1/8-12				CSC112-12	49255	—	—
1-1/4-7	2-1/4	1/2	1/4-28	CSC125-7	49256	—	—
1-1/4-12				CSC125-12	49257	CSSC125-12	49284
1-1/2-6	2-1/2	1/2	1/4-28	CSC150-6	49258	—	—
1-1/2-12				CSC150-12	49259	—	—
1-3/4-16	3	5/8	5/16-24	CSC175-16	49260	—	—
2-12	3-1/4	5/8	5/16-24	CSC200-12	49261	—	—



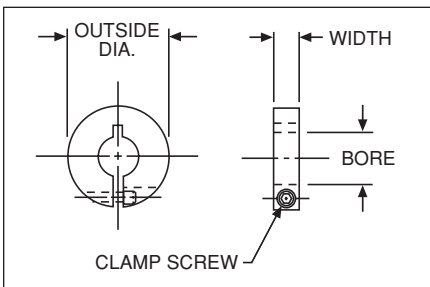
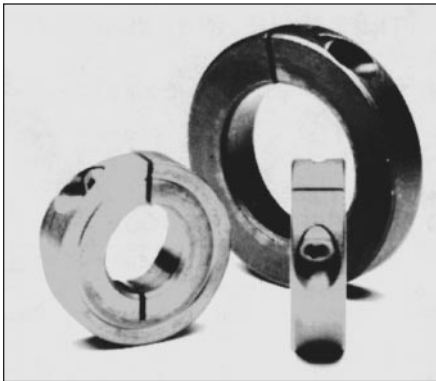
### MATERIALS

Steel—Low Carbon,  
 Black Oxide Finish  
 Stainless—Type 303 Austenitic

# CLAMPING COLLARS

## 1 PIECE TYPE STEEL, STAINLESS STEEL AND ALUMINUM

## CSC/CSSC/CASC SERIES



### STANDARD TOLERANCES

Dimensions		Tolerance
Bore	All	+ .003 - .000

### MATERIALS

Steel—Low Carbon  
 Black Oxide Finish Stainless—Type 303  
 Austenitic  
 Aluminum—2024

### LOAD DATA

Capacity is based on a standard steel, one-piece collar mounted with recommended screw torque on a lightly oiled shaft. Capacity is load to move collar .010". Data shown is for guidance only. In applications involving control of axial loads, capacity should be determined experimentally on actual parts involved.

DESIGN PROVIDES CONVENIENT SETTING, ADJUSTING AND REMOVAL prevents shaft damage  
**OSHA CONFORMANCE** collars have completely recessed screw head.  
**BORE THREADS FROM 1/8" TO 3"**

ALL DIMENSIONS IN INCHES  
 ORDER BY CATALOG NUMBER OR ITEM CODE

Bore	O.D.	Width	Clamp Screws	Steel		Stainless Steel		Aluminum	
				Catalog Number	Item Code	Catalog Number	Item Code	Catalog Number	Item Code
1/8 3/16 1/4 5/16	13/16	1/4	4-40	CSC12	49000	CSSC12	49094	—	—
				CSC18	49001	CSSC18	49095	CASC18	49048
				CSC25	49002	CSSC25	49096	CASC25	49049
				CSC31	49003	CSSC31	49097	CASC31	49050
3/8 7/16	1-1/16	5/16	6-32	CSC37	49004	CSSC37	49098	CASC37	49051
				CSC43	49005	CSSC43	49099	—	—
1/2 9/16	1-1/4	3/8	8-32	CSC50	49006	CSSC50	49100	CASC50	49053
				CSC56	49007	CSSC56	49101	CASC56	49054
5/8 11/16	1-1/2	13/32	10-32	CSC62	49008	CSSC62	49102	CASC62	49055
				CSC68	49009	—	—	—	—
3/4 13/16	1-3/4			CSC75	49010	CSSC75	49104	CASC75	49057
				CSC81	49011	—	—	—	—
7/8 15/16	1-7/8			CSC87	49012	CSSC87	49106	CASC87	49059
				CSC93	49013	CSSC93	49107	—	—
1 1-1/16	2			CSC100	49014	CSSC100	49108	CASC100	49061
				CSC106	49015	CSSC106	49109	—	—
1-1/8 1-3/16	2-1/8	1/2	1/4-28	CSC112	49016	CSSC112	49110	CASC125	49065
				CSC118	49017	CSSC118	49111	—	—
1-3/8 1-5/16	2-3/8			CSC137	49020	—	—	—	—
				CSC143	49021	CSSC143	49115	—	—
1-1/2 1-9/16	2-1/2			CSC150	49022	CSSC150	49116	CASC150	49069
				CSC156	49023	—	—	—	—
1-5/8 1-11/16 1-3/4	3			CSC162	49024	—	—	—	—
				CSC168	49025	—	—	—	—
				CSC175	49026	—	—	CASC175	49073
1-7/8 1-5/8 2	3-1/4	5/8	5/16-24	CSC187	49028	—	—	—	—
				CSC193	49029	CSSC193	49123	—	—
				CSC200	49030	CSSC200	49124	CASC200	49077
2-3/16 2-1/4 2-3/8	3-1/2			CSC218	49033	—	—	—	—
				CSC225	49034	—	—	—	—
				CSC237	49036	—	—	—	—
2-7/16 2-1/2	4			CSC243	49037	—	—	—	—
				CSC250	49038	—	—	—	—
2-5/8 2-11/16 2-3/4	4-1/4	3/4	3/8-24	CSC262	49040	—	—	—	—
				CSC268	49041	—	—	—	—
				CSC275	49042	—	—	—	—
2-7/8 2-15/16 3	4-1/2			CSC287	49044	—	—	—	—
				CSC293	49045	—	—	—	—
				CSC300	49046	—	—	—	—

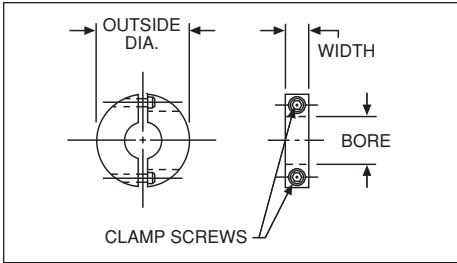
### DIMENSION IN INCHES

Bore	Axial Load Capacity (Lbs.)	Screw Size	Recommended Screw Torque (Lb. Ins.)	
			Steel	Stainless Steel
			1/8-5/16	400
3/8-7/16	600	6-32	30	24
1/2-9/16	1400	8-32	55	35
5/8-11/16	1800	10-32	90	72
3/4-1-9/16	4000	1/4-28	220	170
1-5/8-2-3/8	6500	5/16-24	435	340
2-7/16-3	8500	3/8-24	710	550

# CLAMPING COLLARS

## 2 PIECE TYPE STEEL AND STAINLESS STEEL

## 2SC/2SSC SERIES



### STANDARD TOLERANCES

Dimensions		Tolerance
Bore	All	+ .003 - .000

### MATERIALS

Steel—Low Carbon, Black Oxide Finish  
Stainless—Type 303 Austenitic

### LOAD DATA

Capacity is based on a standard steel, one-piece collar mounted with recommended screw torque on a lightly oiled shaft. Capacity is load to move collar .010". Data shown is for guidance only. In applications involving control of axial loads, capacity should be determined experimentally on actual parts involved.

### DIMENSION IN INCHES

Bore	Axial Load Capacity (Lbs.)	Screw Size	Recommended Screw Torque (Lb. Ins.)	
			Steel	Stainless Steel
1/8-5/16	400	4-40	20	16
3/8-7/16	600	6-32	30	24
1/2-9/16	1400	8-32	55	35
5/8-11/16	1800	10-32	90	72
3/4-1-9/16	4000	1/4-28	220	170
1-5/8-2-3/8	6500	5/16-24	435	340
2-7/16-3	8500	3/8-24	710	550

DESIGN PROVIDES CONVENIENT SETTING, ADJUSTING AND REMOVAL prevents shaft damage  
OSHA CONFORMANCE collars have completely recessed screw head.  
BORE THREADS FROM 1/4" TO 3"

### ALL DIMENSIONS IN INCHES ORDER BY CATALOG NUMBER OR ITEM CODE

Bore	O.D.	Width	Clamp Screws	Steel		Stainless Steel	
				Catalog Number	Item Code	Catalog Number	Item Code
1/4	13/16	1/4	4-40	2SC25	49143	2SSC25	49190
5/16				2SC31	49144	2SSC31	49191
3/8	1-1/16	5/16	6-32	2SC37	49145	2SSC37	49192
7/16				2SC43	49146	2SSC43	49193
1/2	1-1/4	3/8	8-32	2SC50	49147	2SSC50	49194
9/16				2SC56	49148	2SSC56	49195
5/8	1-1/2	13/32	10-32	2SC62	49149	2SSC62	49196
11/16				2SC68	49150	2SSC68	49197
3/4	1-3/4			2SC75	49151	2SSC75	49198
13/16				2SC81	49152	—	—
7/8	1-7/8			2SC87	49153	2SSC87	49200
15/16				2SC93	49154	—	—
1	2			2SC100	49155	2SSC100	49202
1-1/16				2SC106	49156	2SSC106	49203
1-1/8	2-1/8			2SC112	49157	2SSC112	49204
1-3/16				2SC118	49158	2SSC118	49205
1-1/4	2-1/4		1/4-28	2SC125	49159	2SSC125	49206
1-5/16				2SC131	49160	2SSC131	49207
1-3/8	2-3/8			2SC137	49161	—	—
1-7/16				2SC143	49162	2SSC143	49209
1-1/2	2-1/2			2SC150	49163	2SSC150	49210
1-9/16				2SC156	49164	—	—
1-5/8	3			2SC162	49165	—	—
1-11/16				2SC168	49166	—	—
1-3/4	3			2SC175	49167	—	—
1-13/16				—	—	—	—
1-7/8	3-1/4			2SC187	49169	2SSC187	49216
1-15/16				2SC193	49170	2SSC193	49217
2	3-1/4		5/8	2SC200	49171	2SSC200	49218
2-1/16				—	—	—	—
2-1/8	3-1/2		5/16-24	2SC212	49173	—	—
2-3/16				2SC218	49174	—	—
2-1/4	3-1/2			2SC225	49175	—	—
2-3/8				2SC237	49177	—	—
2-7/16	4			2SC243	49178	—	—
2-1/2				2SC250	49179	—	—
2-5/8	4-1/4			2SC262	49181	—	—
2-11/16				2SC268	49182	—	—
2-3/4	4-1/4		3/4	2SC275	49183	—	—
2-7/8				2SC287	49185	—	—
2-15/16	4-1/2		3/8-24	2SC293	49186	—	—
3				2SC300	49187	—	—

# WASHDOWN DUTY COLLARS

## SHAFT COLLARS

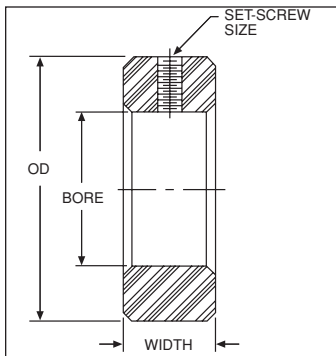
## NSC SERIES



### FEATURES –

- Nylon Material
- USDA/FDA Approved
- Stainless Steel Hardware

### ORDER BY CATALOG NUMBER OR ITEM CODE



Bore	OD	Width	Set Screw Thread	Catalog Number	Item Code
1/4	3/4	7/16	10-24	NSC25	38802
5/16	7/8	7/16	10-24	NSC31	38803
3/8	7/8	7/16	10-24	NSC37	38804
7/16	7/8	7/16	1/4-20	NSC43	38805
1/2	1	7/16	1/4-20	NSC50	38806
9/16	1-1/8	1/2	1-4/20	NSC56	—
5/8	1-1/8	1/2	5/16-18	NSC62	38807
3/4	1-1/4	9/16	5/16-18	NSC75	38808
7/8	1-1/2	9/16	5/16-18	NSC87	38809
1	1-5/8	5/8	5/16-18	NSC100	38810
1-3/16	2	11/16	3-8/16	NSC118	—
1-1/4	2	11/16	3/8-16	NSC125	38811
1-3/8	2-1/8	3/4	3/8-16	NSC137	—
1-7/16	2-1/4	3/4	3/8-16	NSC143	38812
1-1/2	2-1/4	3/4	3/8-16	NSC150	38813
1-5/8	2-1/2	13/16	3/8-16	NSC162	—
1-3/4	2-3/4	7/8	1/2-13	NSC175	38814
1-7/8	2-3/4	7/8	1/2-13	NSC187	—
1-15/16	3	7/8	1/2-13	NSC193	—
2	3	7/8	1/2-13	NSC200	38815
2-3/16	3-1/4	15/16	1/2-13	NSC218	—
2-1/4	3-1/4	15/16	1/2-13	NSC225	—
2-7/16	3-1/2	1	1/2-13	NSC243	—
2-1/2	3-1/2	1	1/2-13	NSC250	—
2-3/4	3-3/4	1	1/2-13	NSC275	—
3	4-1/4	1-1/8	1/2-13	NSC300	—

### STANDARD TOLERANCES

Bore	Tolerance
1/4-1	+ .003" - .000"
1-3/16 -2	+ .004" - .000"
2-3/16 -3	+ .006" - .000"

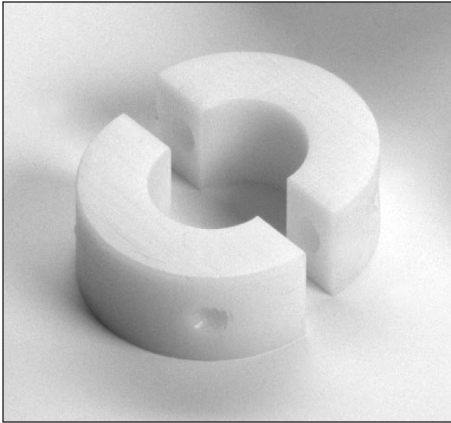
Material - Nylon

Dimensions are in inches

# WASHDOWN DUTY COLLARS

## SPLIT CLAMPING COLLARS

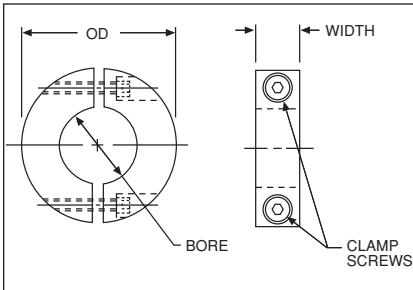
## 2NSC SERIES



### FEATURES –

- Nylon Material
- USDA/FDA Approved
- Recessed Clamping Screws
- Stainless Steel Hardware

### ORDER BY CATALOG NUMBER OR ITEM CODE



Bore	OD	Width	Set Screw Thread	Catalog Number	Item Code
1/4	1	3/8	6-32	2NSC25	38788
5/16	1	3/8	6-32	2NSC31	38789
3/8	1-1/4	1/2	6-32	2NSC37	38790
7/16	1-1/4	1/2	6-32	2NSC43	38791
1/2	1-3/8	9/16	8-32	2NSC50	38792
9/16	1-3/8	9/16	8-32	2NSC56	—
5/8	1-5/8	5/8	10-32	2NSC62	38793
3/4	1-3/4	5/8	10-32	2NSC75	38794
7/8	2	3/4	10-32	2NSC87	38795
1	2-1/8	3/4	1/4-20	2NSC100	38796
1-3/16	2-5/16	3/4	1/4-20	2NSC118	—
1-1/4	2-3/8	3/4	1/4-20	2NSC125	38797
1-3/8	2-1/2	3/4	1/4-20	2NSC137	—
1-7/16	2-5/8	3/4	1/4-20	2NSC143	38798
1-1/2	2-5/8	3/4	1/4-20	2NSC150	38799
1-5/8	3	15/16	5/16-18	2NSC162	—
1-3/4	3-1/8	15/16	5/16-18	2NSC175	38800
1-7/8	3-1/4	15/16	5/16-18	2NSC187	—
1-15/16	3-1/4	15/16	5/16-18	2NSC193	—
2	3-3/8	15/16	5/16-18	2NSC200	38801
2-3/16	3-5/8	15/16	5/16-18	2NSC218	—
2-1/4	3-5/8	15/16	5/16-18	2NSC225	—
2-7/16	4-1/8	1-1/8	3/8-16	2NSC243	—
2-1/2	4-1/8	1-1/8	3/8-16	2NSC250	—
2-3/4	4-3/8	1-1/8	3/8-16	2NSC275	—
3	4-1/2	1-1/8	3/8-16	2NSC300	—

Dimensions are in inches