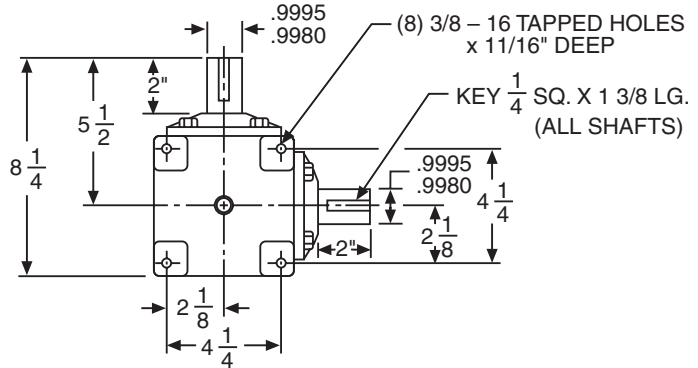
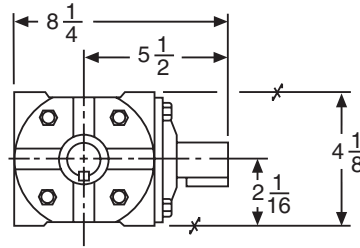
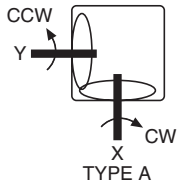


R1000 SERIES BEVEL GEAR DRIVES — DIMENSIONS

DIMENSIONS – R1211 SERIES

R1211 SERIES R1214/R1215H

ASSEMBLY TYPES

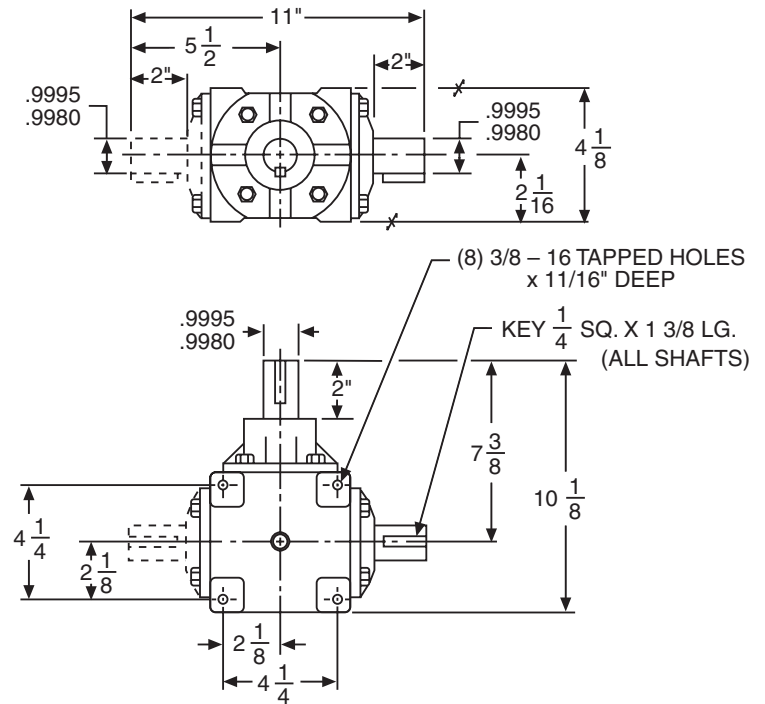
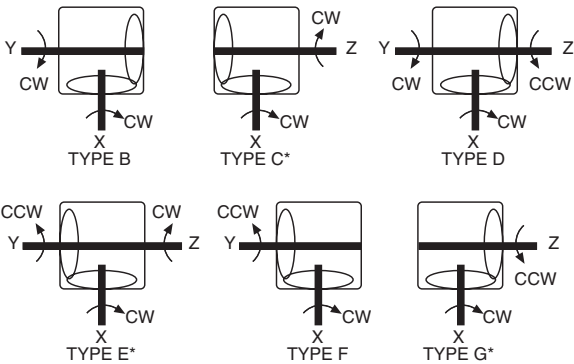


Oil Capacity – 16 ozs.
Approx. Wt. – 22 Lbs.

Note: On other than 1:1 ratio, pinion (small gear) will always be on X shaft.

DIMENSIONS – R1214 SERIES R1215H SERIES

ASSEMBLY TYPES



R1214 (2:1 RATIO ONLY)

Oil Capacity – 16 ozs.
Approx. Wt. – 25 Lbs.

Note: On other than 1:1 ratio, pinion (small gear) will always be on X shaft.

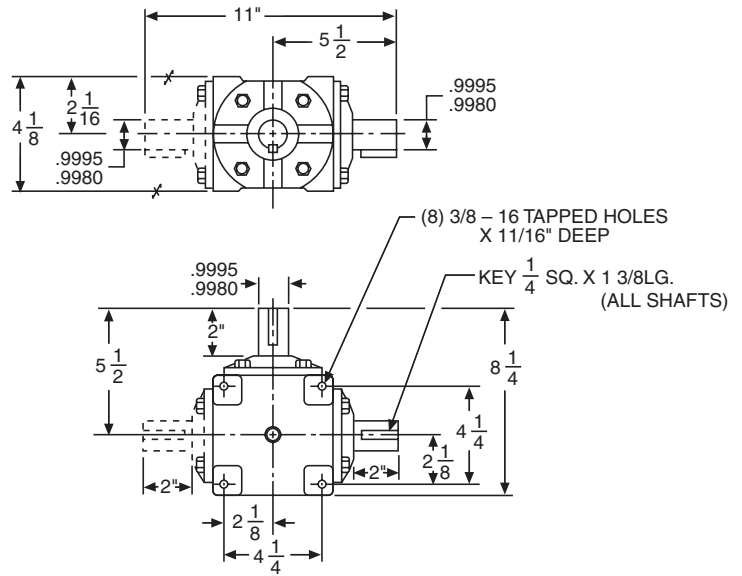
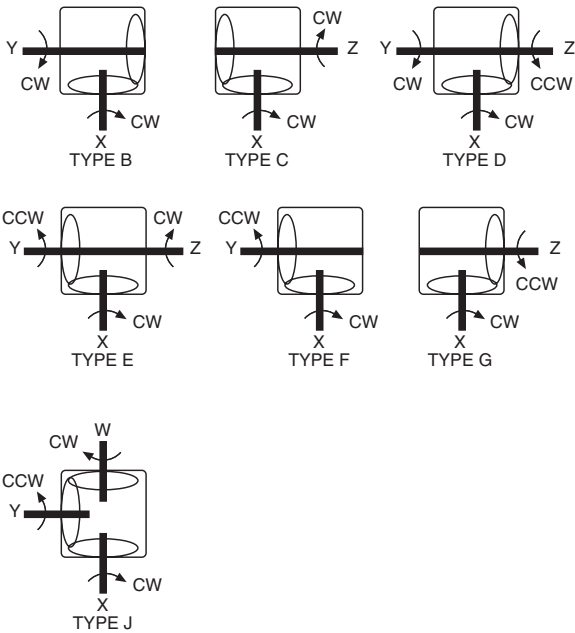
CW and CCW notations indicate direction of shaft rotation when facing outer end of shaft extensions.
The letters W, X, Y, Z are used to designate specific shaft extensions when ordering boxes with special shafts.

R1000 SERIES BEVEL GEAR DRIVES — DIMENSIONS

DIMENSIONS – R1215 SERIES

R1215 SERIES R1216 SERIES

ASSEMBLY TYPES



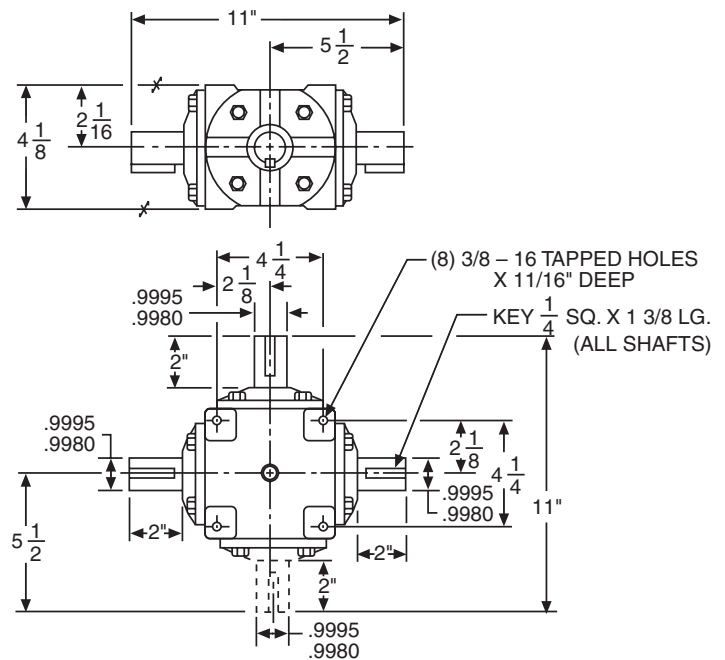
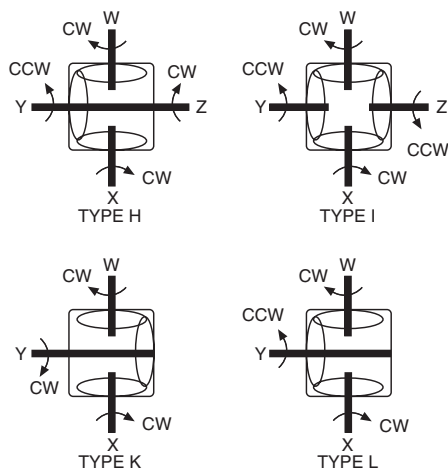
Oil Capacity – 16 ozs.

Approx. Wt. – 27 Lbs.

Note: On other than 1:1 ratio, pinion (small gear) will always be on X shaft.

DIMENSIONS – R1216 SERIES

ASSEMBLY TYPES



Oil Capacity – 16 ozs.

Approx. Wt. – 28 Lbs.

Note: On other than 1:1 ratio, pinion (small gear) will always be on X shaft.

CW and CCW notations indicate direction of shaft rotation when facing outer end of shaft extensions.

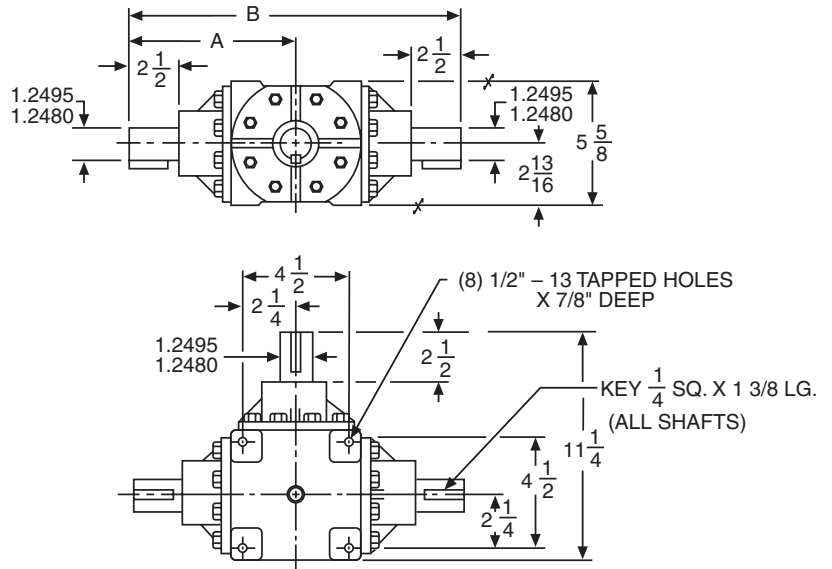
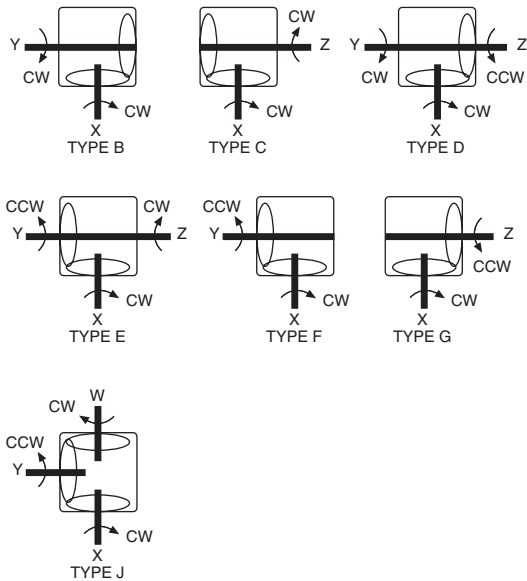
The letters W, X, Y, Z are used to designate specific shaft extensions when ordering boxes with special shafts.

R1000 SERIES BEVEL GEAR DRIVES — DIMENSIONS

DIMENSIONS – R1414 SERIES

R1414 SERIES R1416 SERIES

ASSEMBLY TYPES



Note: Type J illustrated.

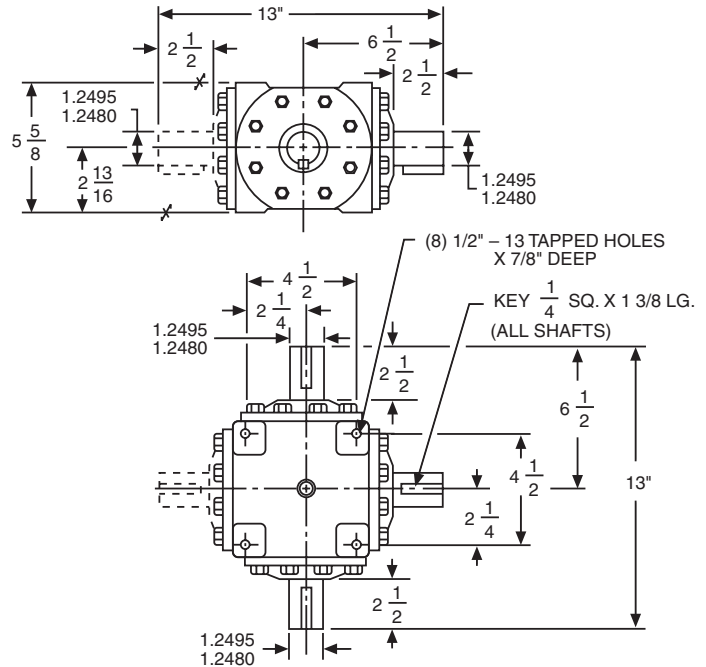
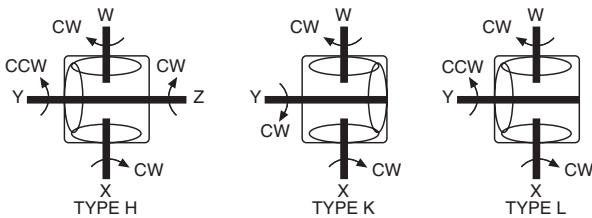
A	B	MTG. TYPE
8 3/8	16 3/4	J
6 1/2	13	All Others

Oil Capacity – 32 ozs.
Approx. Wt. – 50 Lbs.

Note: On other than 1:1 ratio, pinion (small gear) will always be on X shaft.

DIMENSIONS – R1416 SERIES

ASSEMBLY TYPES



Oil Capacity – 24 ozs.
Approx. Wt. – 50 Lbs.

Note: On other than 1:1 ratio, pinion (small gear) will always be on X shaft.

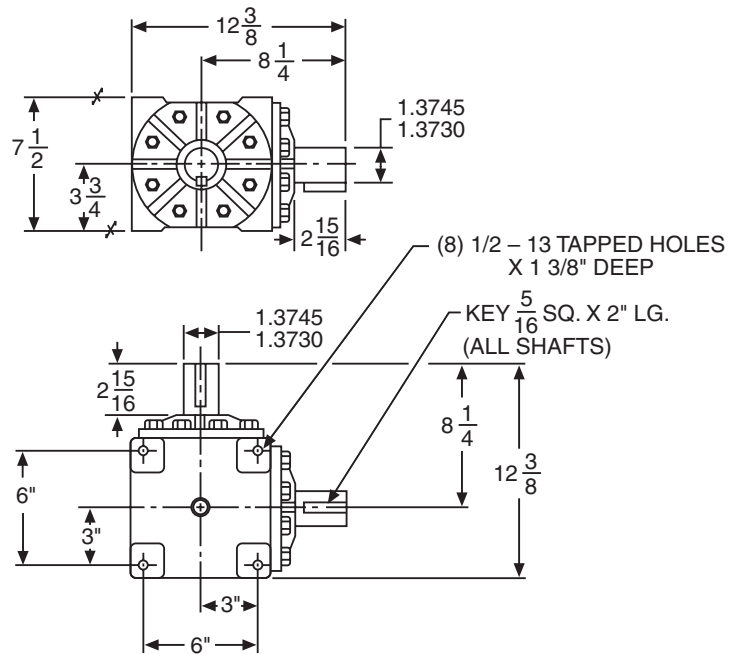
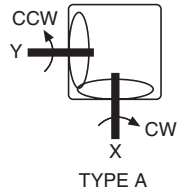
CW and CCW notations indicate direction of shaft rotation when facing outer end of shaft extensions.
The letters W, X, Y, Z are used to designate specific shaft extensions when ordering boxes with special shafts.

R1000 SERIES BEVEL GEAR DRIVES — DIMENSIONS

DIMENSIONS – R1511 SERIES

R1511 SERIES R1514 SERIES

ASSEMBLY TYPES

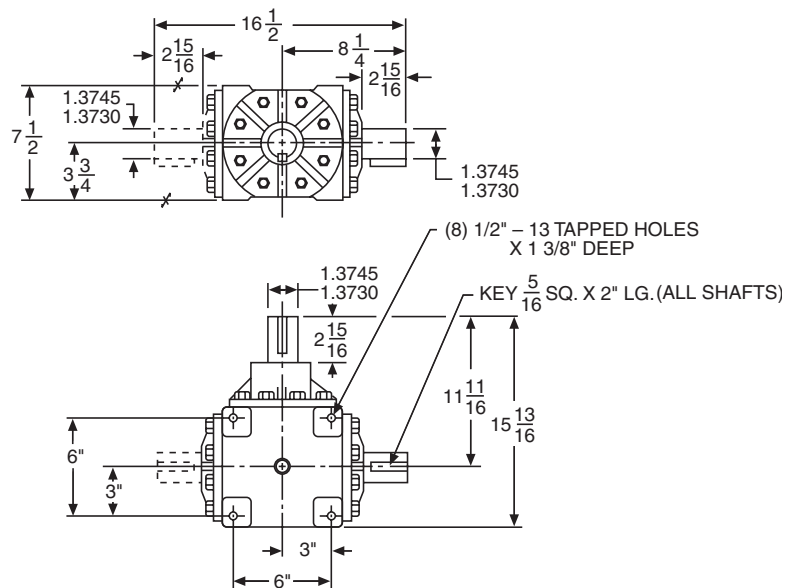
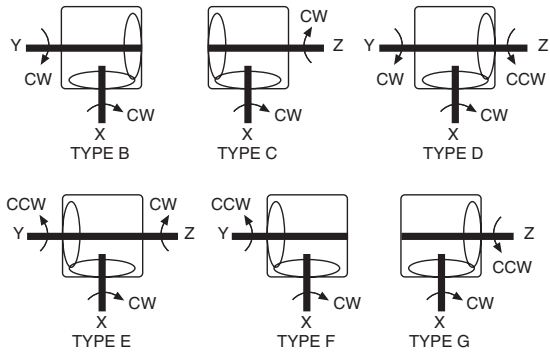


Oil Capacity – 64 ozs.
Approx. Wt. – 73 Lbs.

Note: On other than 1:1 ratio, pinion (small gear) will always be on X shaft.

DIMENSIONS – R1514 SERIES

ASSEMBLY TYPES



Oil Capacity – 88 ozs.
Approx. Wt. – 78 Lbs.

Note: On other than 1:1 ratio, pinion (small gear) will always be on X shaft.

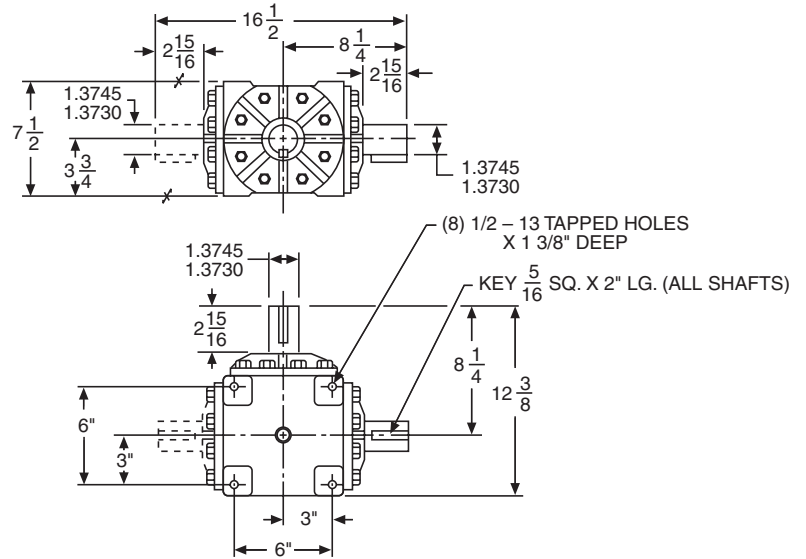
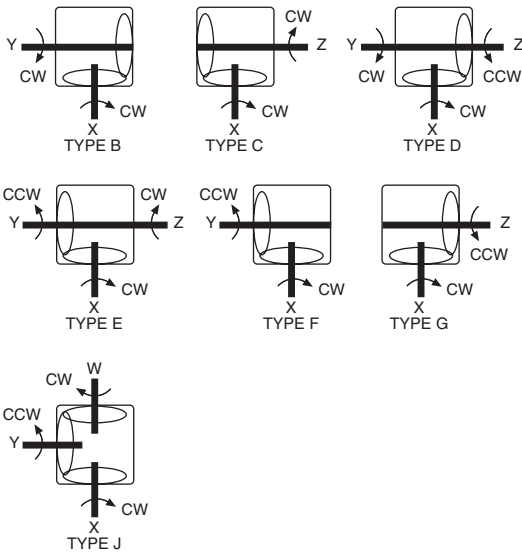
CW and CCW notations indicate direction of shaft rotation when facing outer end of shaft extensions.
The letters W, X, Y, Z are used to designate specific shaft extensions when ordering boxes with special shafts.

R1000 SERIES BEVEL GEAR DRIVES — DIMENSIONS

DIMENSIONS – R1515 SERIES

R1515 SERIES R1516 SERIES

ASSEMBLY TYPES



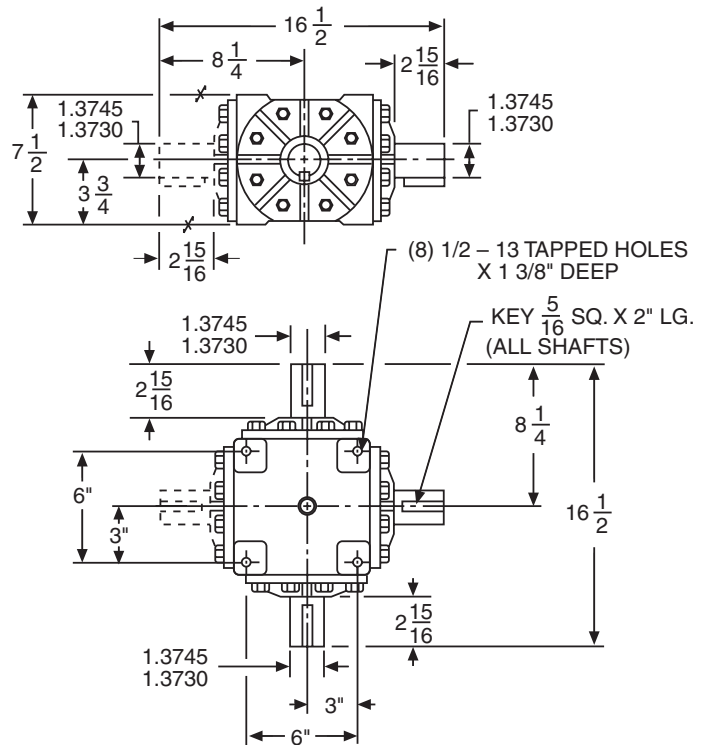
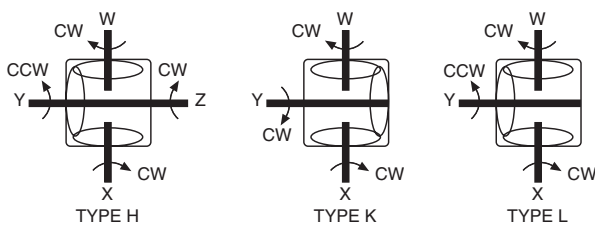
Oil Capacity – 72 ozs.

Approx. Wt. – "J" type – 85 Lbs. – All others – 72 Lbs.

Note: On other than 1:1 ratio, pinion (small gear) will always be on X shaft.

DIMENSIONS – R1516 SERIES

ASSEMBLY TYPES



Oil Capacity – 72 ozs.

Approx. Wt. – 87 Lbs.

Note: On other than 1:1 ratio, pinion (small gear) will always be on X shaft.

CW and CCW notations indicate direction of shaft rotation when facing outer end of shaft extensions.

The letters W, X, Y, Z are used to designate specific shaft extensions when ordering boxes with special shafts.